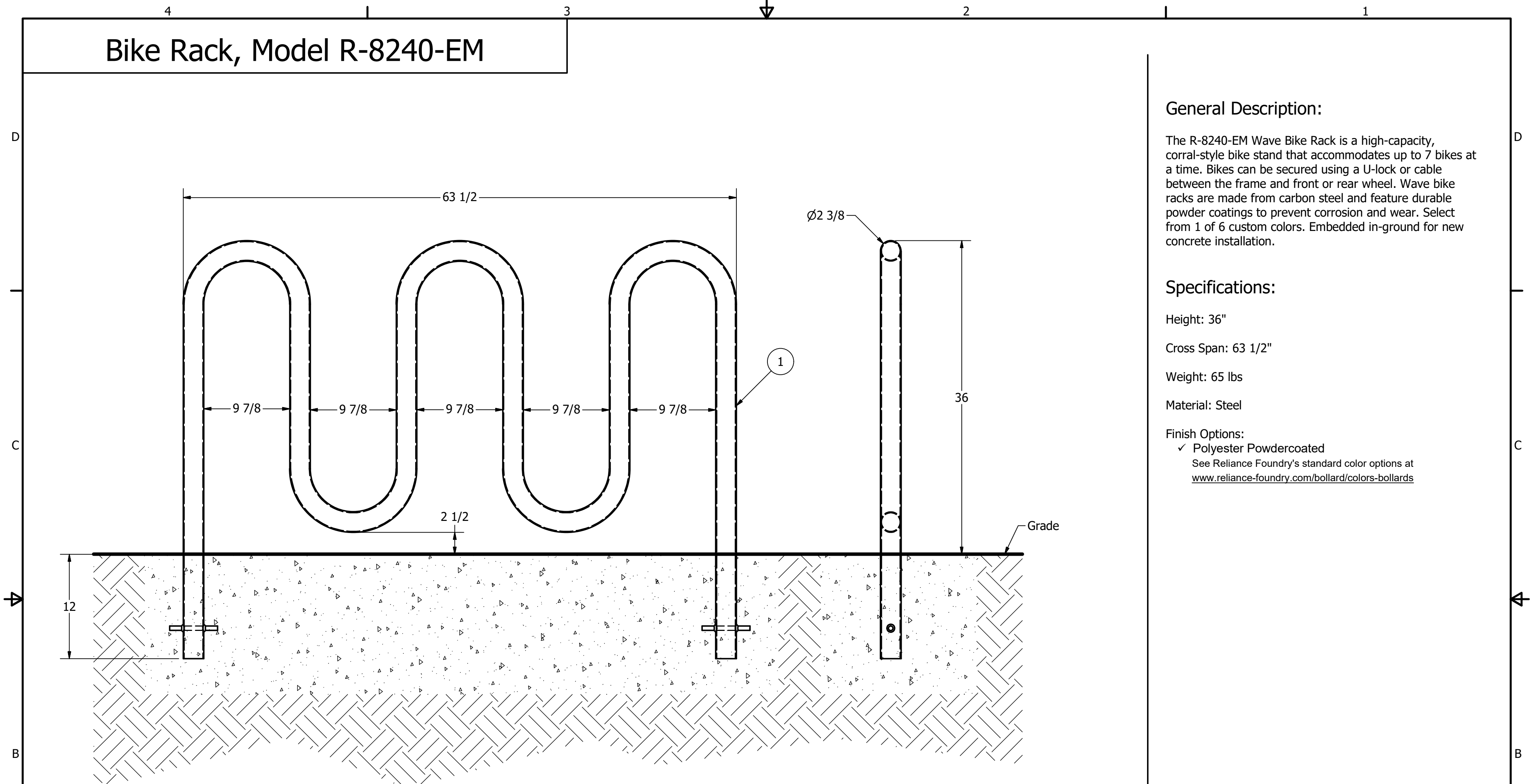


# Bike Rack, Model R-8240-EM



## General Description:

The R-8240-EM Wave Bike Rack is a high-capacity, corral-style bike stand that accommodates up to 7 bikes at a time. Bikes can be secured using a U-lock or cable between the frame and front or rear wheel. Wave bike racks are made from carbon steel and feature durable powder coatings to prevent corrosion and wear. Select from 1 of 6 custom colors. Embedded in-ground for new concrete installation.

## Specifications:

- Height: 36"
- Cross Span: 63 1/2"
- Weight: 65 lbs
- Material: Steel

Finish Options:  
 ✓ Polyester Powdercoated  
 See Reliance Foundry's standard color options at [www.reliance-foundry.com/bollard/colors-bollards](http://www.reliance-foundry.com/bollard/colors-bollards)

## Notes:

- Embedment details are for reference illustration only. Minimum foundation sizes depend on local soil conditions, weather conditions and engineering requirements.
- Bike rack is provided as shown with parts listed below. Concrete foundation and/or installation not provided by Reliance Foundry.
- This drawing is not drawn to scale. Dimensions provided herein are for reference only. Please consult Reliance Foundry sales professionals if any dimension is critical to your particular installation.
- Reliance Foundry reserves the right to amend design and specifications without prior notice for product improvement.



Unit 207, 6450 - 148 Street, Surrey, BC V3S 7G7, Canada  
 1-877-789-3245 info@reliance-foundry.com  
[www.reliance-foundry.com](http://www.reliance-foundry.com)

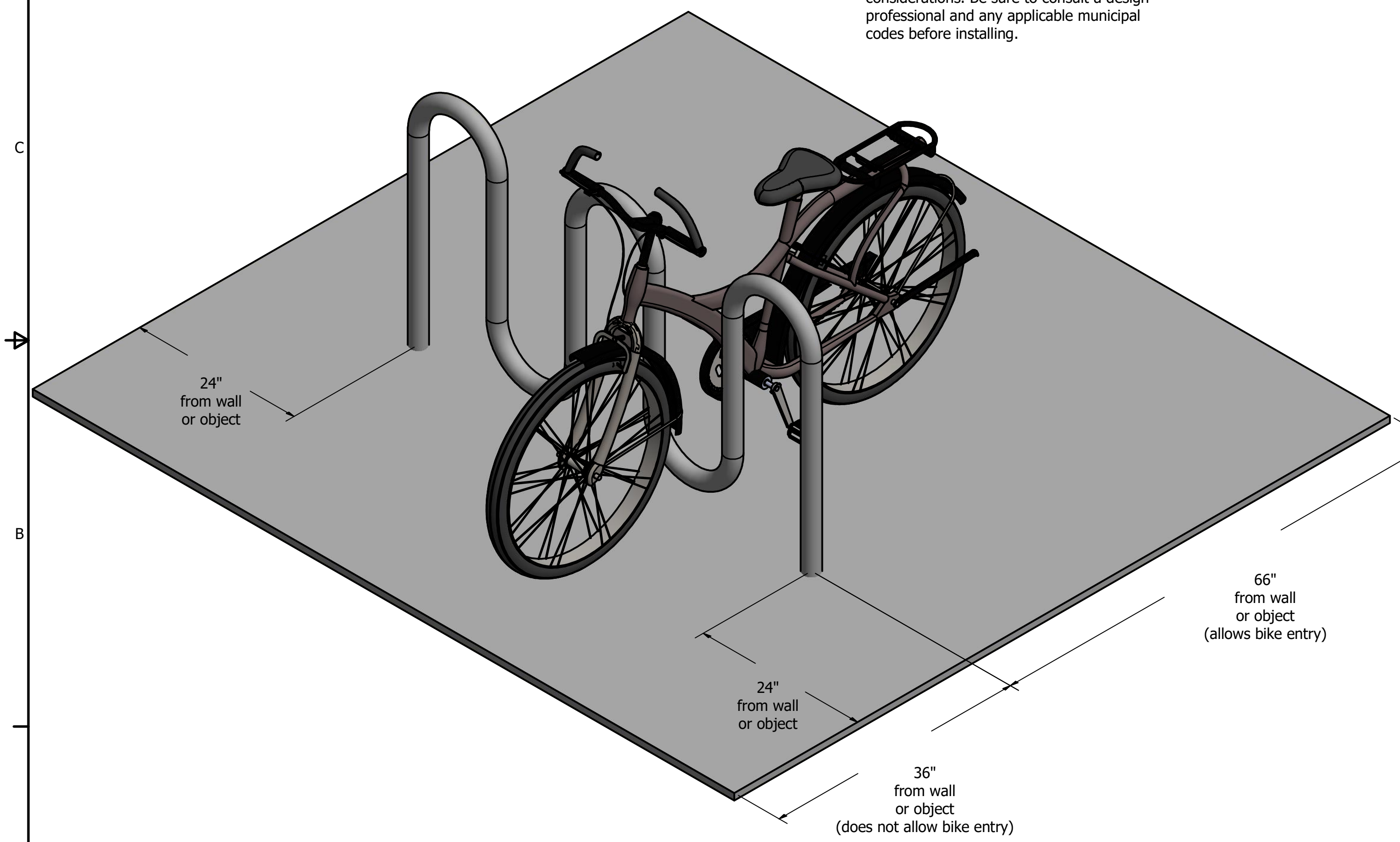
TITLE			
<b>Bike Rack, Model R-8240-EM</b>			
SIZE	DWG NO	REV	
C	R8240EM	C1	
NOT TO SCALE		SHEET 1 OF 2	

PARTS LIST					
ITEM	QTY	PART NUMBER	DESCRIPTION	MATERIAL	WEIGHT
1	1	R8240EM	Bike Rack R8240EM	Steel Powder Coated	65 lbs

# Bike Rack, Model R-8240-EM

## Bike Rack Spacing

Spacing dimensions are only example suggestions and may not be suitable for specific locations. Dimensions do not account for walkways or other space considerations. Be sure to consult a design professional and any applicable municipal codes before installing.



## General Description:

The R-8240-EM Wave Bike Rack is a high-capacity, corral-style bike stand that accommodates up to 7 bikes at a time. Bikes can be secured using a U-lock or cable between the frame and front or rear wheel. Wave bike racks are made from carbon steel and feature durable powder coatings to prevent corrosion and wear. Select from 1 of 6 custom colors. Embedded in-ground for new concrete installation.

## Specifications:

- Height: 36"
- Cross Span: 63 1/2"
- Weight: 65 lbs
- Material: Steel

Finish Options:  
 ✓ Polyester Powdercoated  
 See Reliance Foundry's standard color options at [www.reliance-foundry.com/bollard/colors-bollards](http://www.reliance-foundry.com/bollard/colors-bollards)



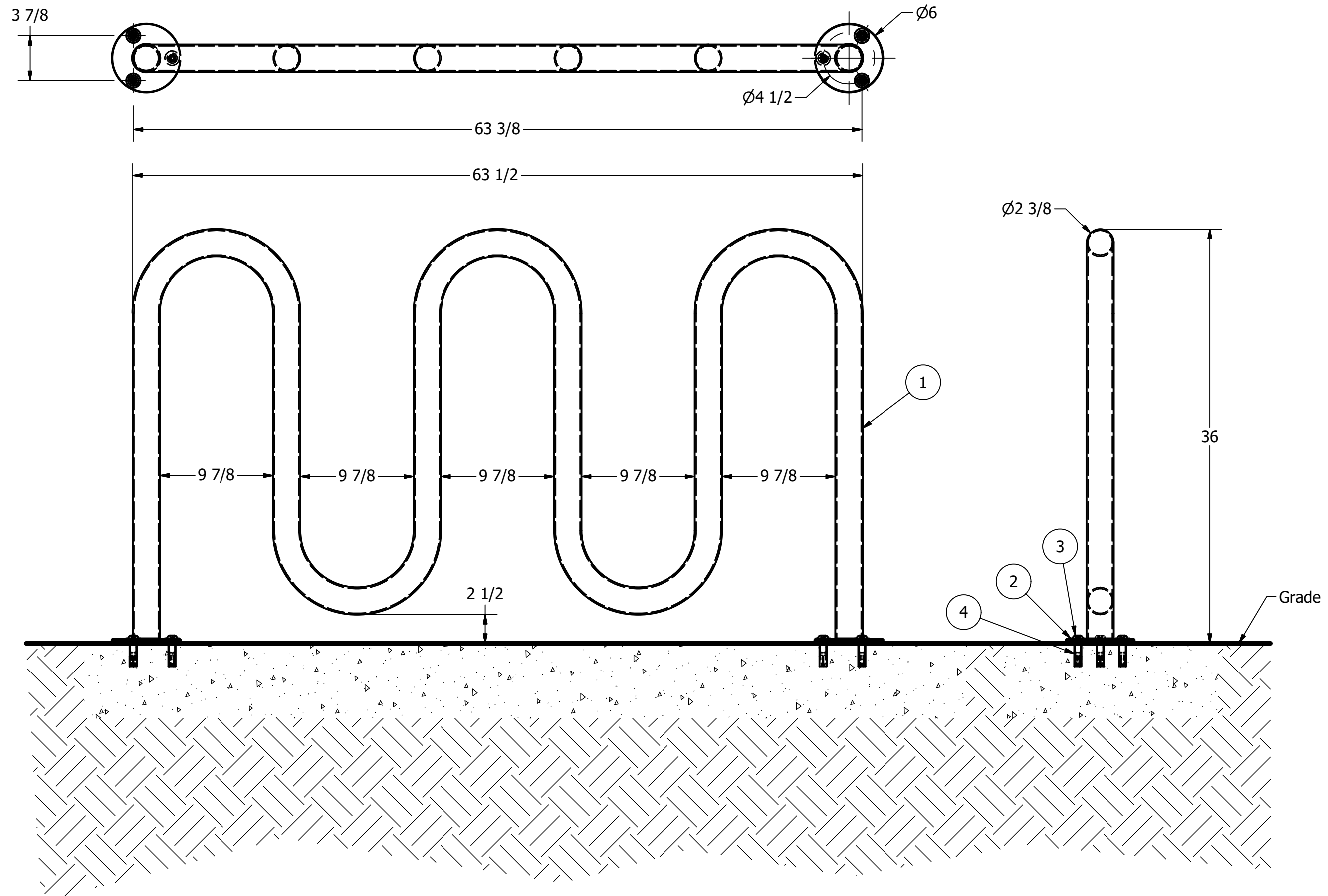
Unit 207, 6450 - 148 Street, Surrey, BC V3S 7G7, Canada  
 1-877-789-3245 info@reliance-foundry.com  
[www.reliance-foundry.com](http://www.reliance-foundry.com)

TITLE			
<b>Bike Rack, Model R-8240-EM</b>			
SIZE	DWG NO	REV	
C	R8240EM	C1	
NOT TO SCALE		SHEET 2 OF 2	

# Bike Rack, R-8240-FL

- Drop-in Anchor Installation:
- 1) Use a carbide tip drill bit (conforming to ANSI B 212.15) to drill 5/8" x 2" hole (dia. x depth)
  - 2) Clean drill hole of debris
  - 3) Insert anchor into drill hole
  - 4) Use hammer and proper setting tool\* (for 1/2" Drop-In Anchor from UCAN) to drive plug down
  - 5) Fasten button head screw (Maximum torque 22 ft x lbf)

\* Substitute a narrow punch tool at installer's risk



## General Description:

The R-8240-FL Wave Bike Rack is a high-capacity, corral-style bike stand that accommodates up to 7 bikes at a time. Bikes can be secured using a U-lock or cable between the frame and front or rear wheel. Wave bike racks are made from carbon steel and feature durable powder coatings to prevent corrosion and wear. Select from 1 of 6 custom colors. Bolt-down flanges for existing concrete surface installation.

## Specifications:

- Height: 36"
- Cross Span: 63 1/2"
- Weight: 63 lbs
- Material: Steel

Finish Options:  
 ✓ Polyester Powdercoated  
 See Reliance Foundry's standard color options at [www.reliance-foundry.com/bollard/colors-bollards](http://www.reliance-foundry.com/bollard/colors-bollards)

## Notes:

- Embedment details are for reference illustration only. Minimum foundation sizes depend on local soil conditions, weather conditions and engineering requirements.
- Bike rack is provided as shown with parts listed below. Concrete foundation and/or installation not provided by Reliance Foundry.
- This drawing is not drawn to scale. Dimensions provided herein are for reference only. Please consult Reliance Foundry sales professionals if any dimension is critical to your particular installation.
- Reliance Foundry reserves the right to amend design and specifications without prior notice for product improvement.



Unit 207, 6450 - 148 Street, Surrey, BC V3S 7G7, Canada  
 1-877-789-3245 info@reliance-foundry.com  
[www.reliance-foundry.com](http://www.reliance-foundry.com)

TITLE			
<b>Bike Rack, R-8240-FL</b>			
SIZE	DWG NO	REV	
C	R8240FL	C1	
NOT TO SCALE		SHEET 1 OF 2	

PARTS LIST					
ITEM	QTY	PART NUMBER	DESCRIPTION	MATERIAL	WEIGHT
1	1	R8240FL	Bike Rack R8240FL	Steel Powder Coated	63 lbs
2	6	Stainless Steel Washer 1/2"	Stainless Steel Washer 1/2" OD 1 1/4" Thick .05"	Stainless Steel	
3	6	Button Head Bolt 1/2" x 1 1/4"	Hexagon Socket Button Head Cap Bolt 1/2" x 1 1/4" - requires 5/16" hex key	Stainless Steel	1/8 lbs
4	6	Drop-in Concrete Insert 1/2"	Drop-in Concrete Insert 1/2" - requires 5/8" x 2" hole (dia. x depth)	Steel Plated	1/8 lbs

# Bike Rack, R-8240-FL

## Bike Rack Spacing

Spacing dimensions are only example suggestions and may not be suitable for specific locations. Dimensions do not account for walkways or other space considerations. Be sure to consult a design professional and any applicable municipal codes before installing.

## General Description:

The R-8240-FL Wave Bike Rack is a high-capacity, corral-style bike stand that accommodates up to 7 bikes at a time. Bikes can be secured using a U-lock or cable between the frame and front or rear wheel. Wave bike racks are made from carbon steel and feature durable powder coatings to prevent corrosion and wear. Select from 1 of 6 custom colors. Bolt-down flanges for existing concrete surface installation.

## Specifications:

Height: 36"

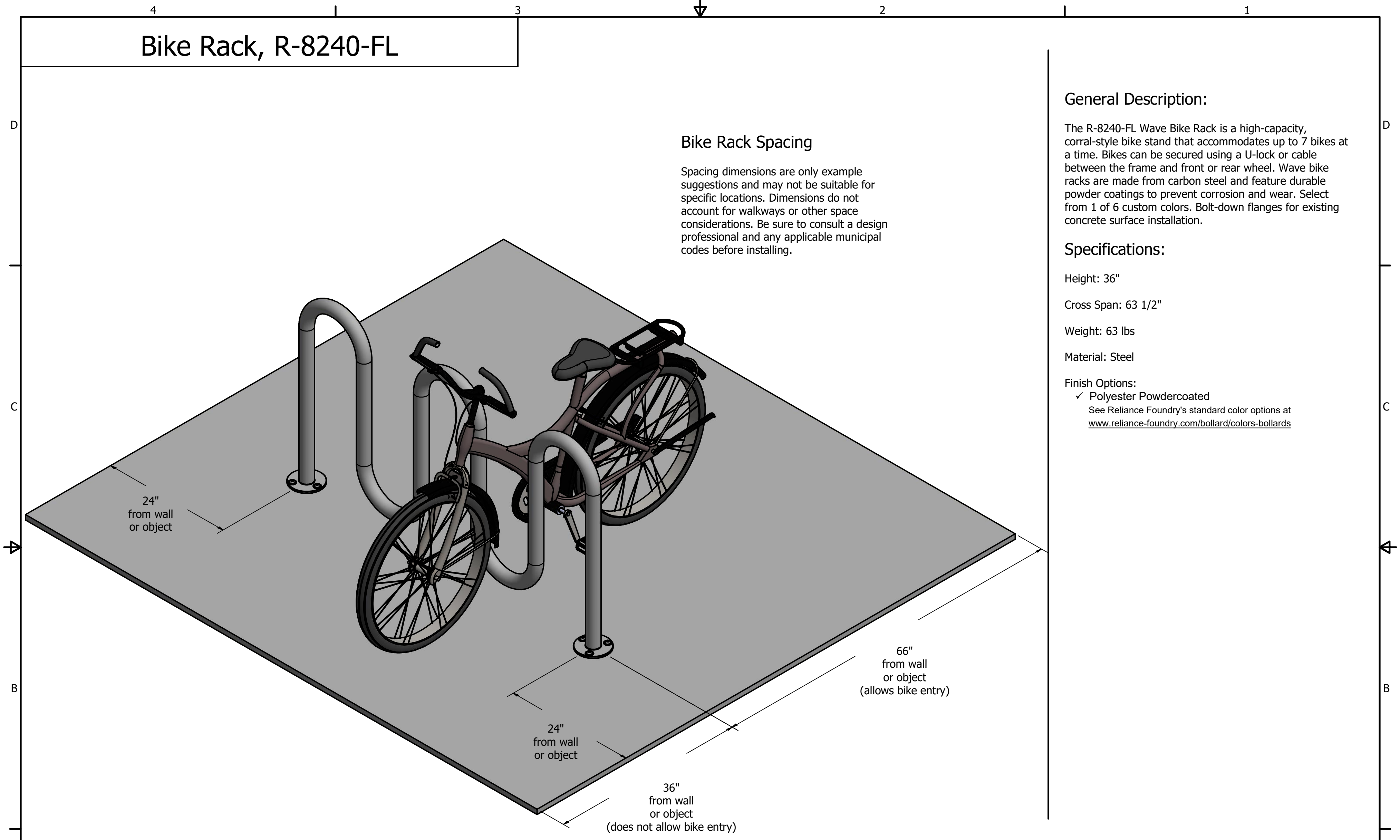
Cross Span: 63 1/2"

Weight: 63 lbs

Material: Steel

### Finish Options:

- ✓ Polyester Powdercoated
- See Reliance Foundry's standard color options at [www.reliance-foundry.com/bollard/colors-bollards](http://www.reliance-foundry.com/bollard/colors-bollards)



Unit 207, 6450 - 148 Street, Surrey, BC V3S 7G7, Canada  
 1-877-789-3245 info@reliance-foundry.com  
[www.reliance-foundry.com](http://www.reliance-foundry.com)

TITLE			
<b>Bike Rack, R-8240-FL</b>			
SIZE	DWG NO	REV	
C	R8240FL	C1	
NOT TO SCALE		SHEET 2 OF 2	