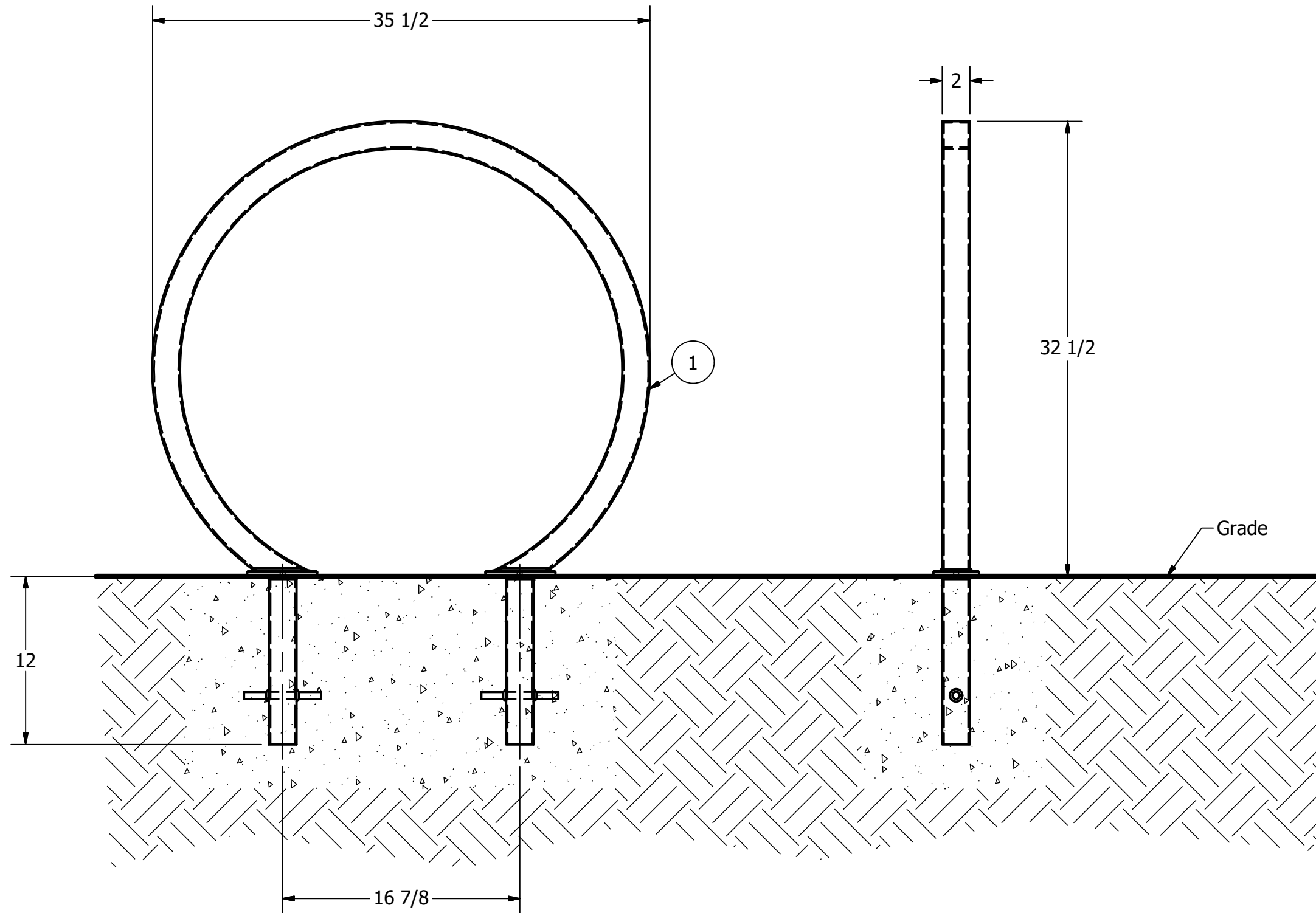


Bike Rack, R-8234-EM



General Description:

The R-8234-EM Circular Bike Rack (Square Tube) offers a narrow design, making it suitable for sidewalks and other pedestrian areas. The round, ring-shape offers 2-point contact with bike frames to avoid tipping-and is long enough to accommodate a U-lock or cable around each tire and bike frame. Install circular bike racks in series for custom, high-capacity bike corrals. Circular bike racks are made from carbon steel and feature durable powder coatings to prevent corrosion and wear. Select from 1 of 6 custom colors. Embedded in-ground mountings for new concrete installations.

Specifications:

Height: 32 1/2"

Cross Span: 35 1/2"

Weight: 36 lbs

Material: Steel

Finish Options:

- ✓ Polyester Powdercoated

See Reliance Foundry's standard color options at www.reliance-foundry.com/bollard/colors-bollards

Notes:

- Embedment details are for reference illustration only. Minimum foundation sizes depend on local soil conditions, weather conditions and engineering requirements.
- Bike rack is provided as shown with parts listed below. Concrete foundation and/or installation not provided by Reliance Foundry.
- This drawing is not drawn to scale. Dimensions provided herein are for reference only. Please consult Reliance Foundry sales professionals if any dimension is critical to your particular installation.
- Reliance Foundry reserves the right to amend design and specifications without prior notice for product improvement.

RELIANCE FOUNDRY
— SINCE 1925 —

Unit 207, 6450 - 148 Street, Surrey, BC V3S 7G7, Canada
1-877-789-3245 info@reliance-foundry.com
www.reliance-foundry.com

TITLE

Bike Rack, R-8234-EM

PARTS LIST					
ITEM	QTY	PART NUMBER	DESCRIPTION	MATERIAL	WEIGHT
1	1	R8234EM	Bike Rack R8234EM	Steel Powder Coated	36 lbs

SIZE	DWG NO	REV
C	R8234EM	C1

Bike Rack, R-8234-EM

Bike Rack Spacing

Spacing dimensions are only example suggestions and may not be suitable for specific locations. Dimensions do not account for walkways or other space considerations. Be sure to consult a design professional and any applicable municipal codes before installing.

General Description:

The R-8234-EM Circular Bike Rack (Square Tube) offers a narrow design, making it suitable for sidewalks and other pedestrian areas. The round, ring-shape offers 2-point contact with bike frames to avoid tipping-and is long enough to accommodate a U-lock or cable around each tire and bike frame. Install circular bike racks in series for custom, high-capacity bike corrals. Circular bike racks are made from carbon steel and feature durable powder coatings to prevent corrosion and wear. Select from 1 of 6 custom colors. Embedded in-ground mountings for new concrete installations.

Specifications:

Height: 32 1/2"

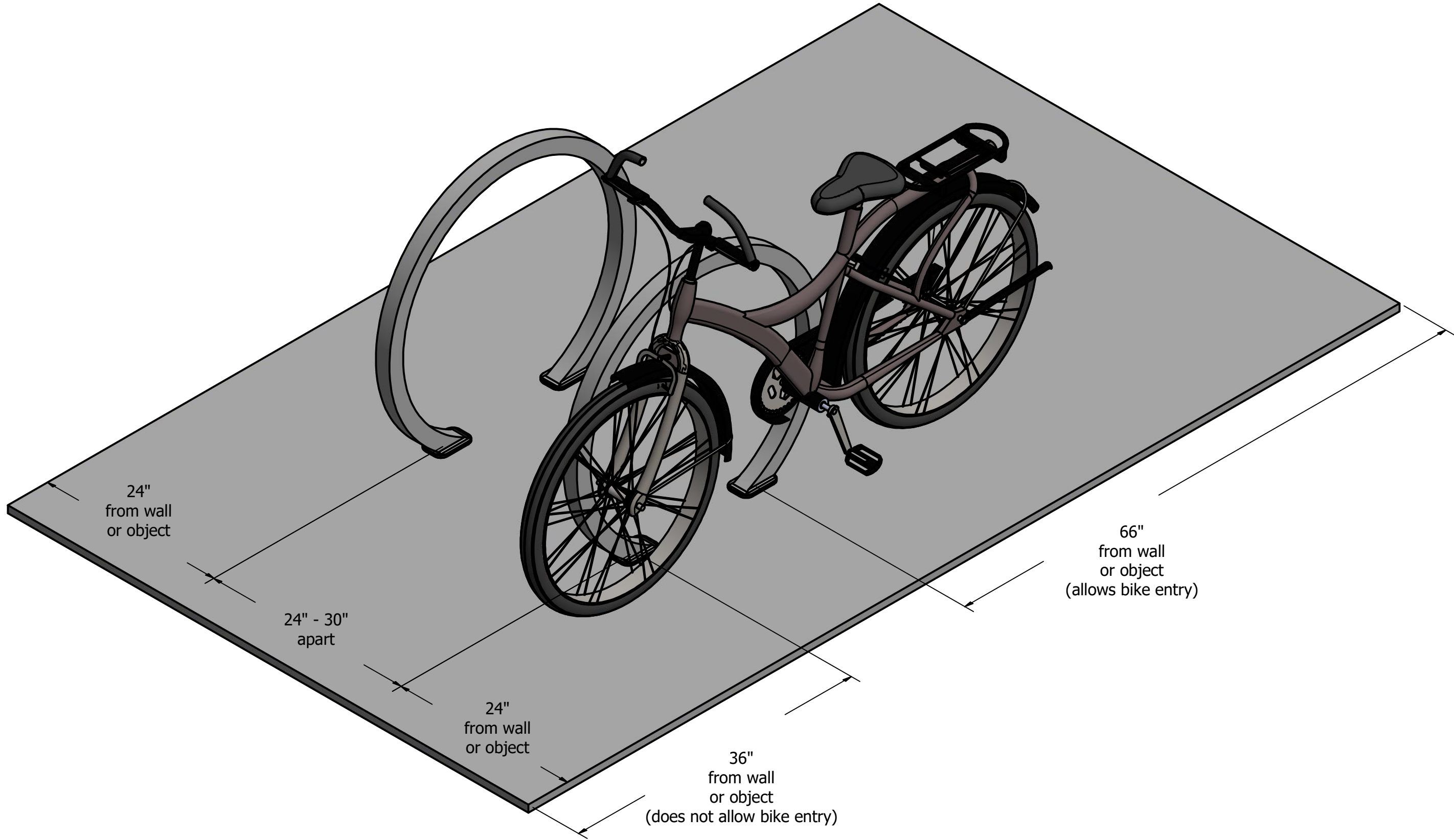
Cross Span: 35 1/2"

Weight: 36 lbs

Material: Steel

Finish Options:

- ✓ Polyester Powdercoated
- See Reliance Foundry's standard color options at www.reliance-foundry.com/bollard/colors-bollards



Unit 207, 6450 - 148 Street, Surrey, BC V3S 7G7, Canada
 1-877-789-3245 info@reliance-foundry.com
www.reliance-foundry.com

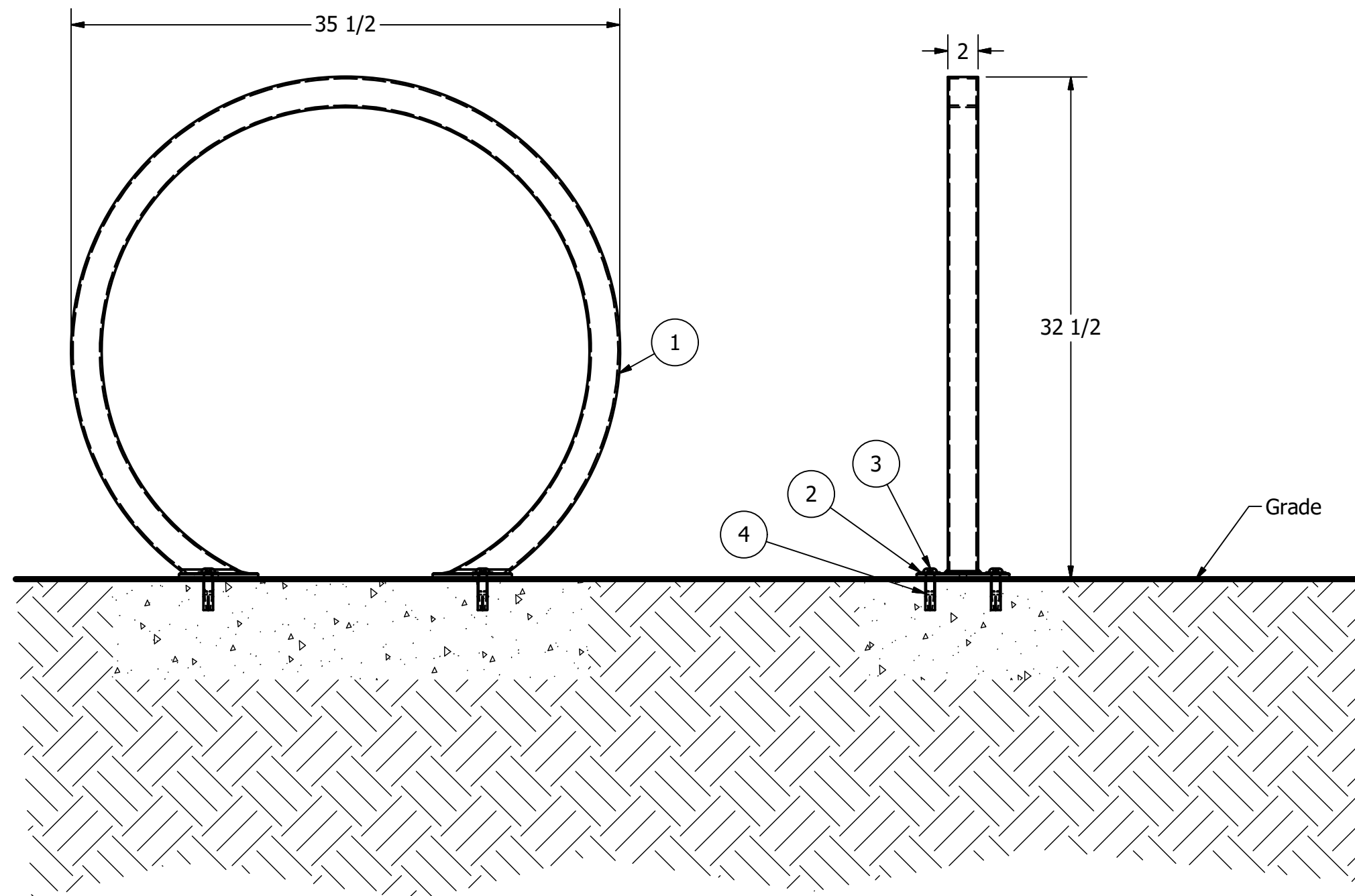
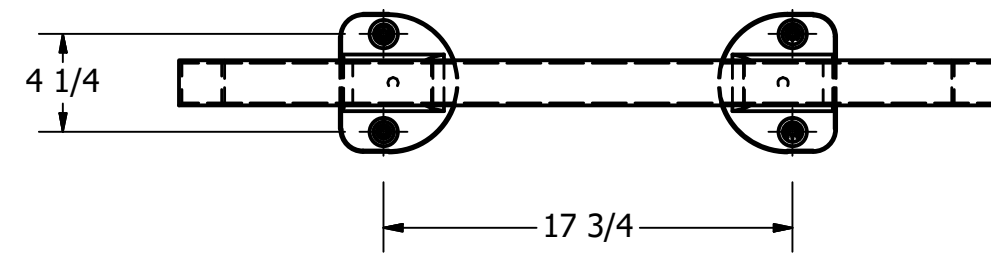
TITLE			
Bike Rack, R-8234-EM			
SIZE	DWG NO	REV	
C	R8234EM	C1	
NOT TO SCALE		SHEET 2 OF 2	

Bike Rack, R-8234-FL

Drop-in Anchor Installation:

- 1) Use a carbide tip drill bit (conforming to ANSI B 212.15) to drill 5/8" x 2" hole (dia. x depth)
- 2) Clean drill hole of debris
- 3) Insert anchor into drill hole
- 4) Use hammer and proper setting tool* (for 1/2" Drop-In Anchor from UCAN) to drive plug down
- 5) Fasten button head screw (Maximum torque 22 ft x lbf)

* Substitute a narrow punch tool at installer's risk



General Description:

The R-8234-FL Circular Bike Rack (Square Tube) offers a narrow design, making it suitable for sidewalks and other pedestrian areas. The round, ring-shape offers 2-point contact with bike frames to avoid tipping-and is long enough to accommodate a U-lock or cable around each tire and bike frame. Install circular bike racks in series for custom, high-capacity bike corrals. Circular bike racks are made from carbon steel and feature durable powder coatings to prevent corrosion and wear. Select from 1 of 6 custom colors. Bolt-down flanges for existing concrete surfaces.

Specifications:

Height: 32 1/2"

Cross Span: 35 1/2"

Weight: 32 lbs

Material: Steel

Finish Options:

- ✓ Polyester Powdercoated

See Reliance Foundry's standard color options at www.reliance-foundry.com/bollard/colors-bollards

Notes:

- Embedment details are for reference illustration only. Minimum foundation sizes depend on local soil conditions, weather conditions and engineering requirements.
- Bike rack is provided as shown with parts listed below. Concrete foundation and/or installation not provided by Reliance Foundry.
- This drawing is not drawn to scale. Dimensions provided herein are for reference only. Please consult Reliance Foundry sales professionals if any dimension is critical to your particular installation.
- Reliance Foundry reserves the right to amend design and specifications without prior notice for product improvement.

RELIANCE FOUNDRY
— SINCE 1925 —

Unit 207, 6450 - 148 Street, Surrey, BC V3S 7G7, Canada
1-877-789-3245 info@reliance-foundry.com
www.reliance-foundry.com

TITLE

Bike Rack, R-8234-FL

SIZE
C

DWG NO
R8234FL

REV
C2

PARTS LIST					
ITEM	QTY	PART NUMBER	DESCRIPTION	MATERIAL	WEIGHT
1	1	R8234FL	Bike Rack R8234FL	Steel Powder Coated	32 lbs
2	4	Stainless Steel Washer 1/2"	Stainless Steel Washer 1/2" OD 1 1/4" Thick .05"	Stainless Steel	
3	4	Button Head Bolt 1/2" x 1 1/4"	Hexagon Socket Button Head Cap Bolt 1/2" x 1 1/4" - requires 5/16" hex key	Stainless Steel	1/8 lbs
4	4	Drop-in Concrete Insert 1/2"	Drop-in Concrete Insert 1/2" - requires 5/8" x 2" hole (dia. x depth)	Steel Plated	1/8 lbs

Bike Rack, R-8234-FL

Bike Rack Spacing

Spacing dimensions are only example suggestions and may not be suitable for specific locations. Dimensions do not account for walkways or other space considerations. Be sure to consult a design professional and any applicable municipal codes before installing.

General Description:

The R-8234-FL Circular Bike Rack (Square Tube) offers a narrow design, making it suitable for sidewalks and other pedestrian areas. The round, ring-shape offers 2-point contact with bike frames to avoid tipping-and is long enough to accommodate a U-lock or cable around each tire and bike frame. Install circular bike racks in series for custom, high-capacity bike corrals. Circular bike racks are made from carbon steel and feature durable powder coatings to prevent corrosion and wear. Select from 1 of 6 custom colors. Bolt-down flanges for existing concrete surfaces.

Specifications:

Height: 32 1/2"

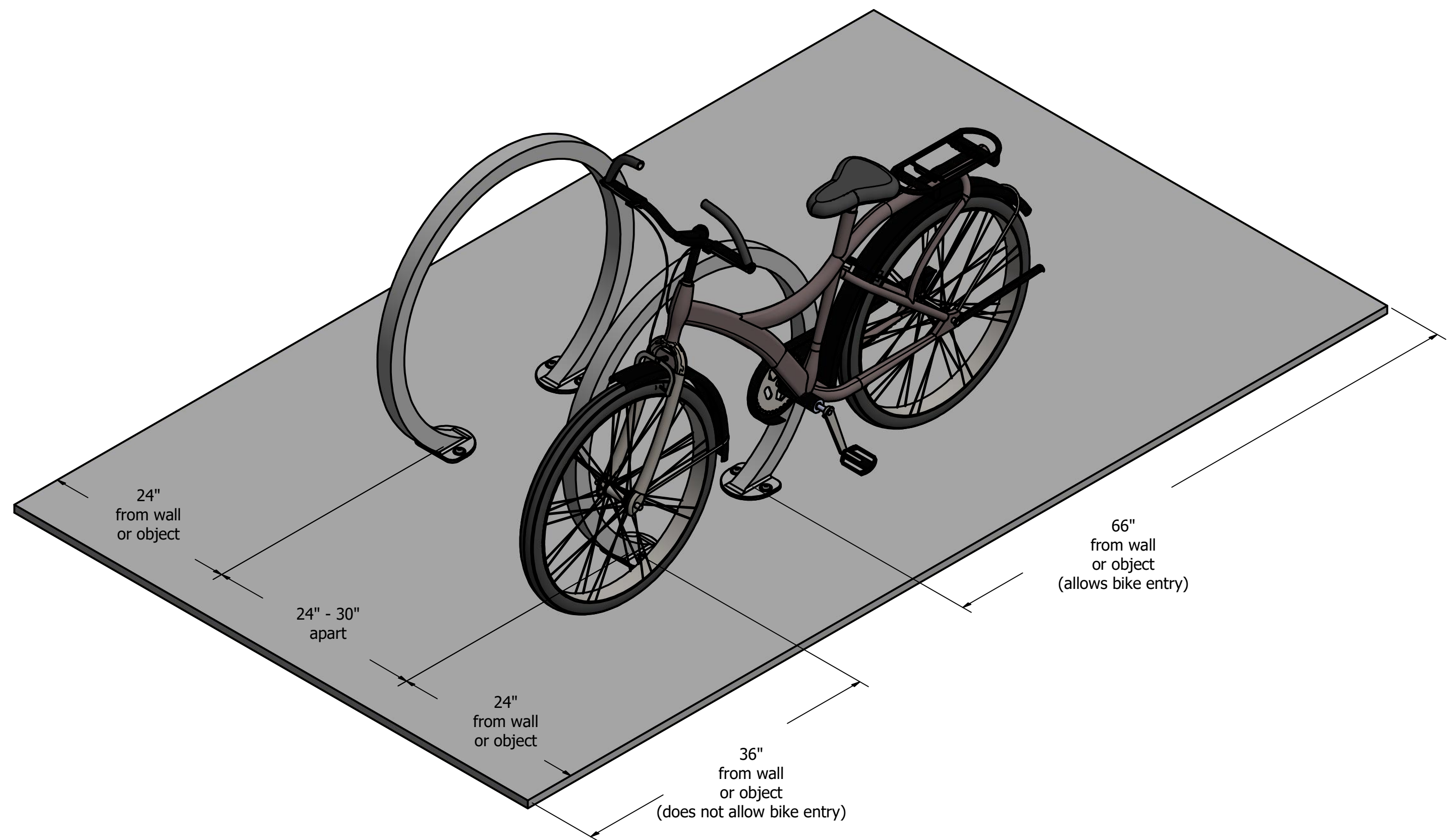
Cross Span: 35 1/2"

Weight: 32 lbs

Material: Steel

Finish Options:

- ✓ Polyester Powdercoated
- See Reliance Foundry's standard color options at www.reliance-foundry.com/bollard/colors-bollards



RELIANCE FOUNDRY
SINCE 1925

Unit 207, 6450 - 148 Street, Surrey, BC V3S 7G7, Canada
1-877-789-3245 info@reliance-foundry.com
www.reliance-foundry.com

TITLE			
Bike Rack, R-8234-FL			
SIZE	DWG NO	REV	
C	R8234FL	C2	
NOT TO SCALE		SHEET 2 OF 2	