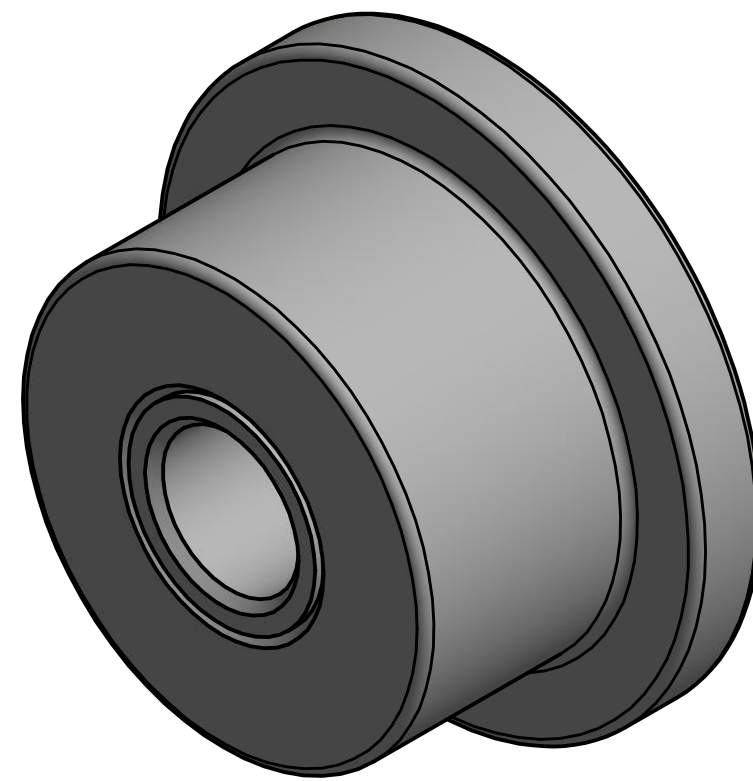
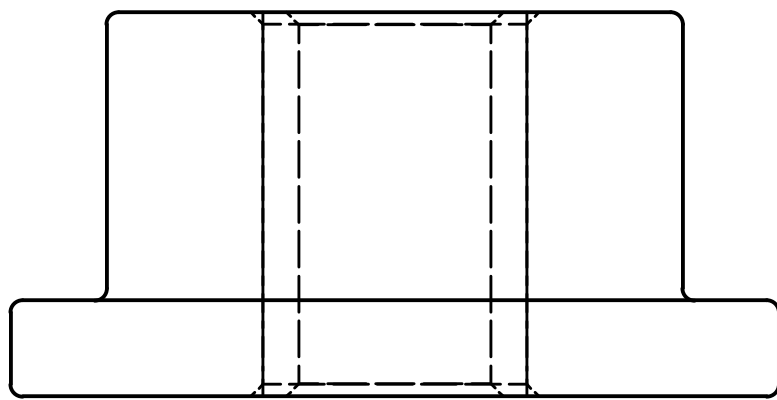


SECTION A-A



**RELIANCE FOUNDRY**  
— SINCE 1925 —

Unit 207, 6450 - 148 Street, Surrey, BC V3S 7G7, Canada  
1-877-789-3245 info@reliance-foundry.com  
www.reliance-foundry.com

---

TITLE  
**Single Flanged Wheel R-3306**

SIZE		DWG NO		REV	
C		R3306		A1	

PARTS LIST					
ITEM	QTY	PART NUMBER	DESCRIPTION	MATERIAL	WEIGHT
1	1	R3306	R3306 Single Flanged Wheel	ASTM A915 Grade 4340 Steel, BHN 280-320	4 lbs
2	1	Bronze Bushing	Bronze Bushing	Bearing Bronze C93200 (SAE660)	1/2 lbs

COPYRIGHT RESERVED THIS PLAN DRAWING AND DESIGN ARE, AND AT ALL TIMES REMAIN, THE EXCLUSIVE PROPERTY OF RELIANCE FOUNDRY CO., LTD.