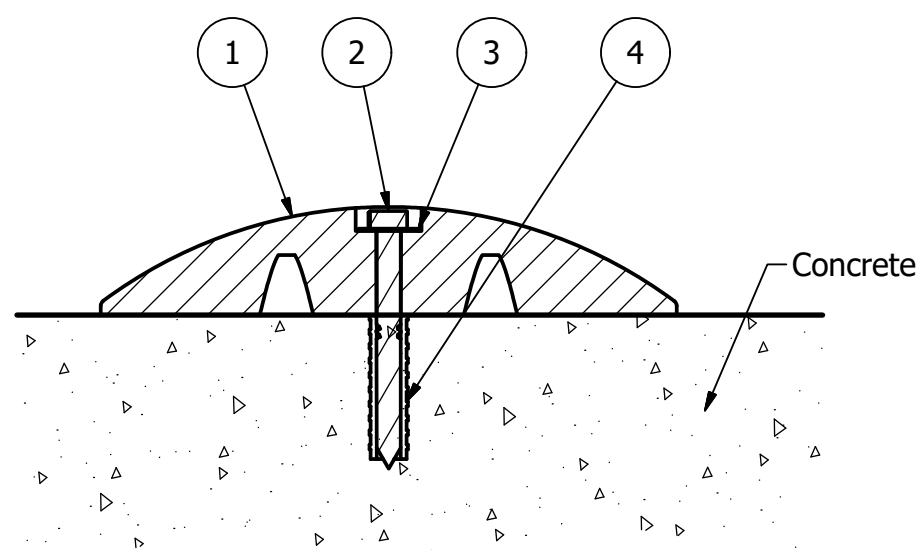
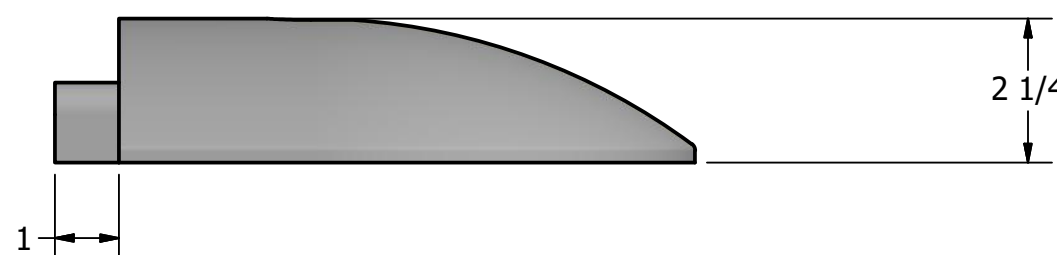
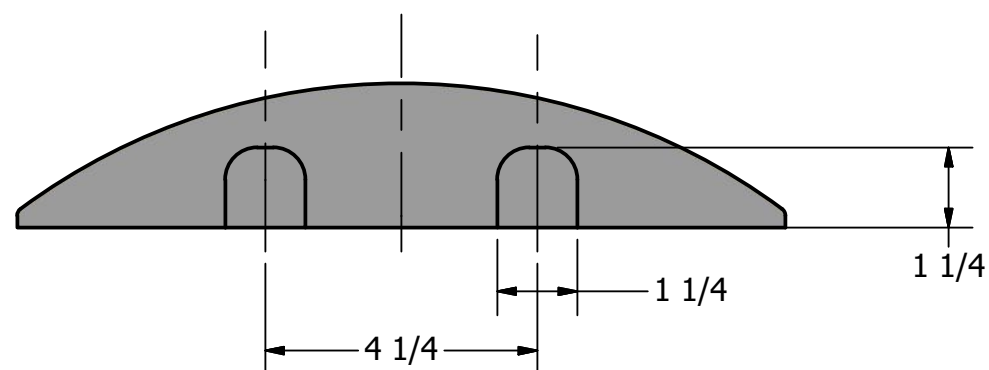
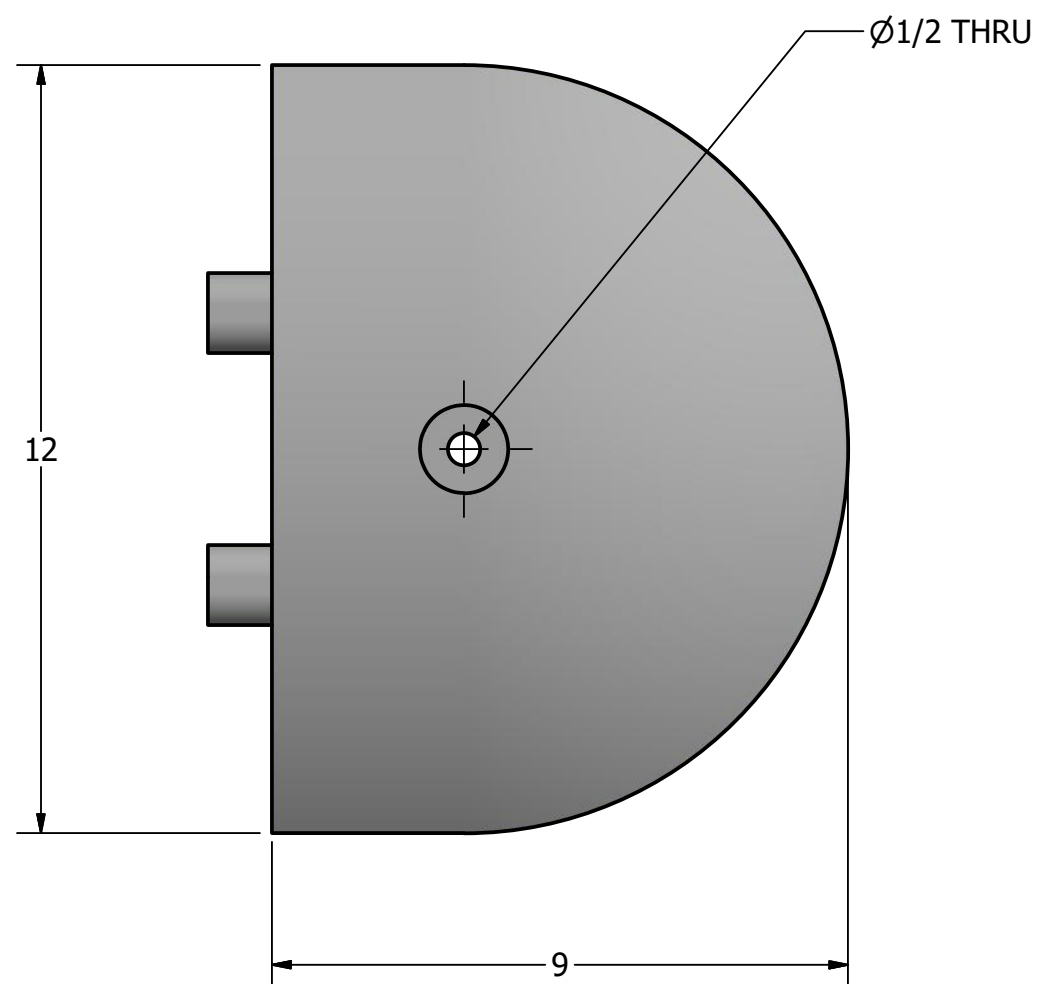
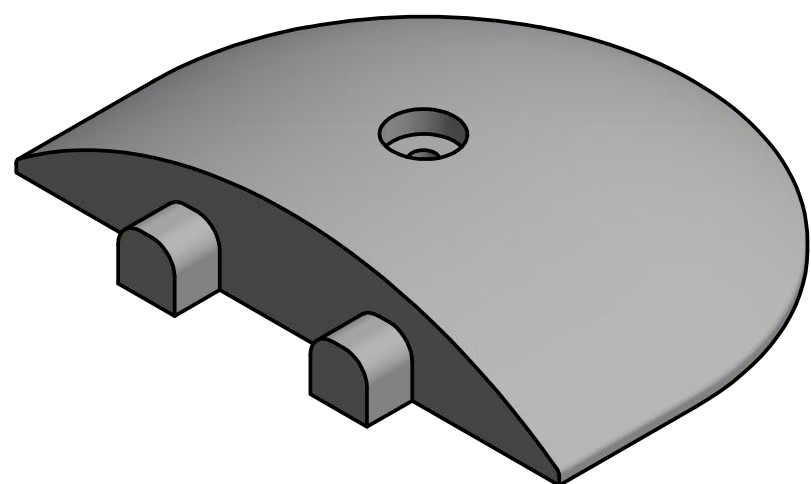
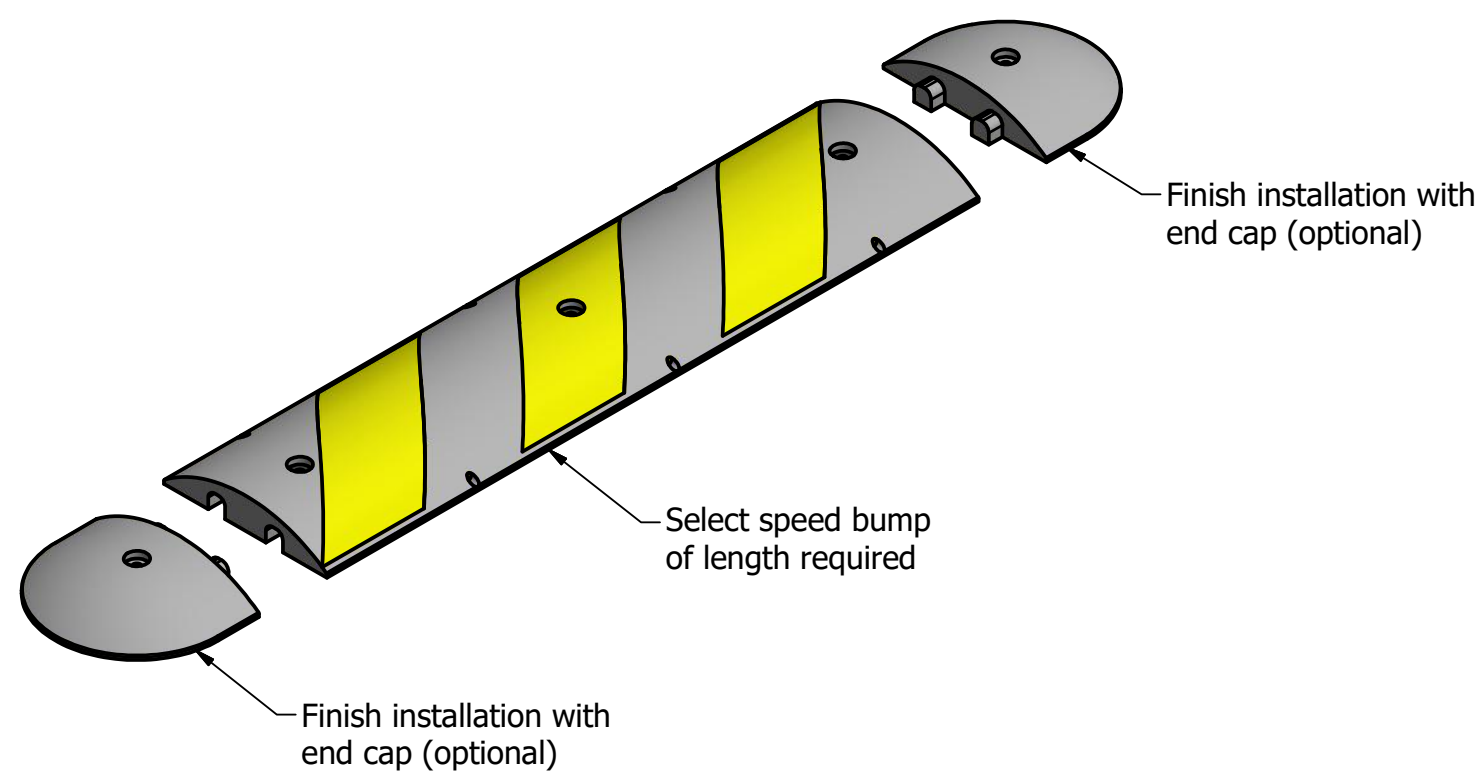


R-2030-E End Cap



Concrete Installation
w/ Lag Bolt and Lag Shield



General Description:

Speed bumps are the most effective means for slowing vehicles to 5 mph or less. Made from 100-percent recycled rubber, they feature reflective yellow stripes for optimal visibility in all weather and lighting conditions. Rubber is highly durable, form-fitting and won't crack, chip or peel with extended use—even under heavy commercial and industrial use. Speed bumps feature simple bolt-down or rebar spike installation and require minimal labor and equipment. Assemblies feature internal channeling to accommodate cables and/or drainage. Select from 4-foot and 6-foot lengths and use in tandem for large areas. Finish your assembly with tapered end caps.

Specifications:

- Length: 9"
- Width: 12"
- Height: 2-1/4"
- Weight: 5-1/2 lbs
- Material: Recycled Rubber Composite

Installation Options:

- ⊙ Concrete Installation w/ Lag Bolt (see sheet 1 of 2)
- Asphalt Installation w/ Rebar Spike (see sheet 2 of 2)

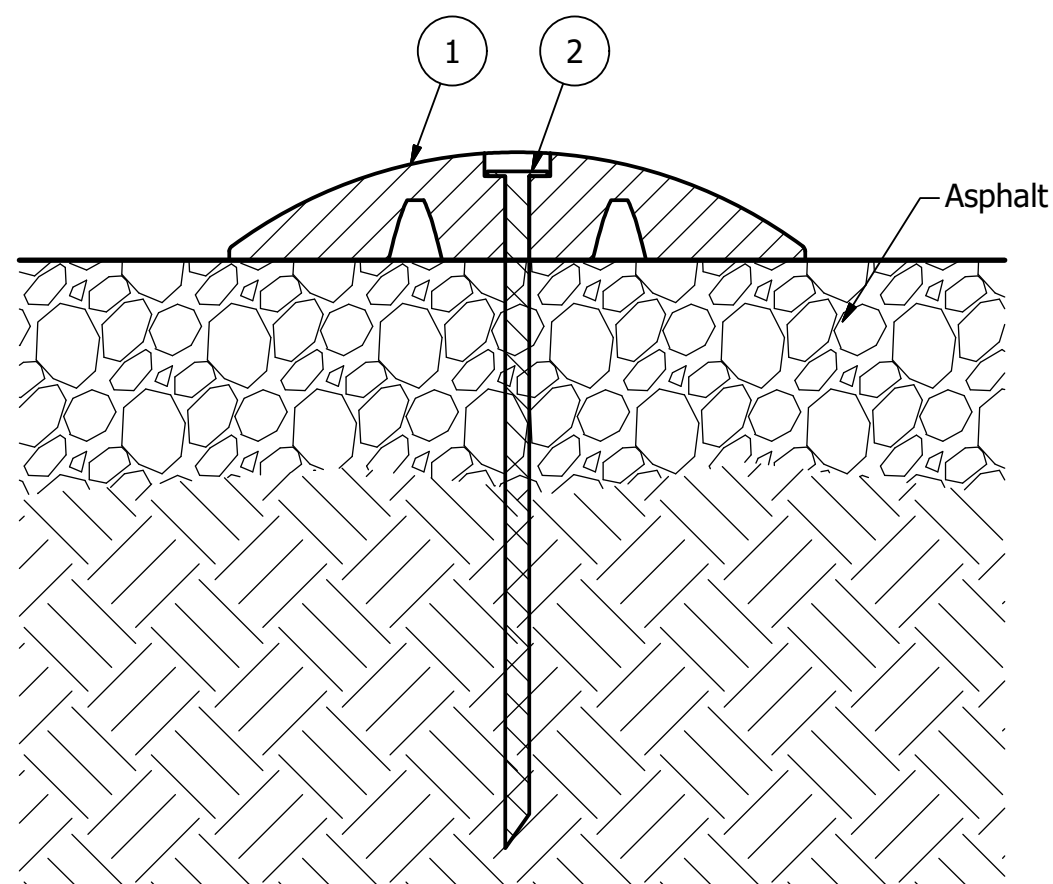
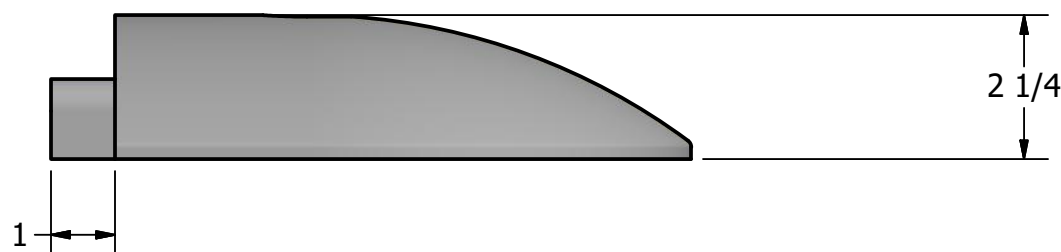
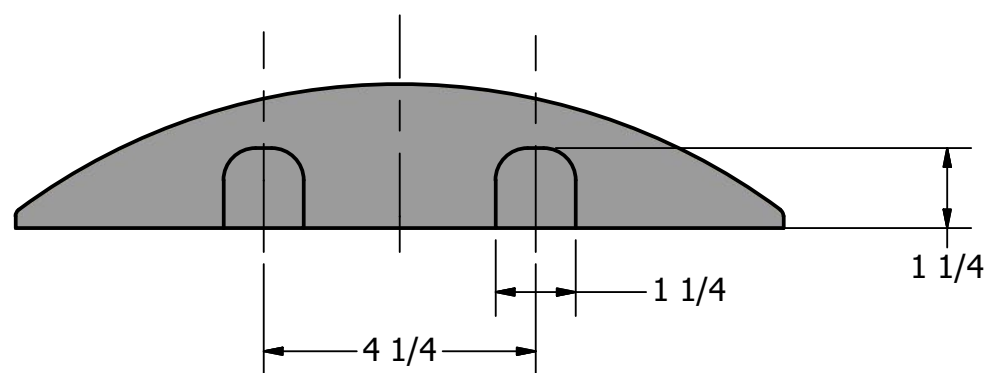
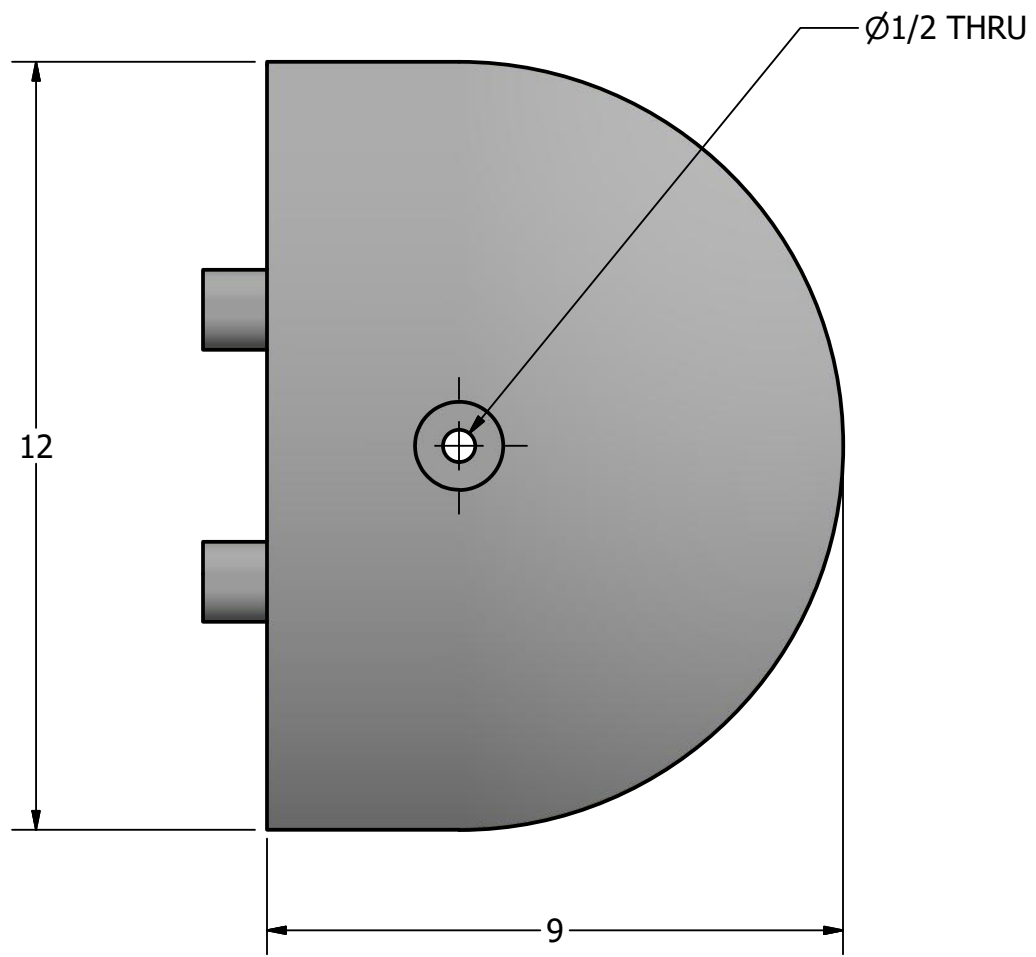
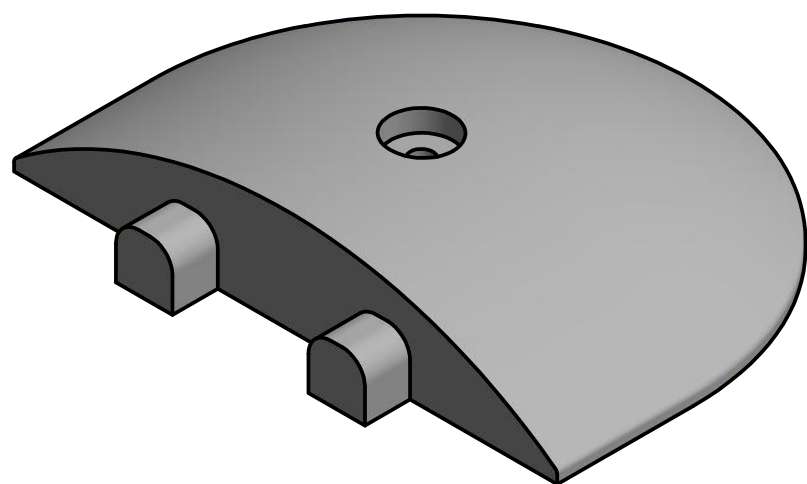
PARTS LIST					
ITEM	QTY	PART NUMBER	DESCRIPTION	MATERIAL	WEIGHT
1	1	R2030E	R2030E Speed Bump End Cap	Compression Molded Recycled Rubber Composite	5 1/2 lbs
2	1	Hex Lag Bolt 1/2" x 5"	Hex Lag Bolt 1/2" x 5" - requires 3/4" wrench (socket)	Steel HDG	1/4 lbs
3	1	Washer 1/2"	Washer 1/2" OD 1 1/4" Thick .05"	Steel Plated	
4	1	Lag Bolt Shield 1/2" x 3"	Lag Bolt Shield 1/2" x 3" - requires 3/4" x 3" hole (dia. x depth)	Steel HDG	1/8 lbs

RELIANCE FOUNDRY
SINCE 1925

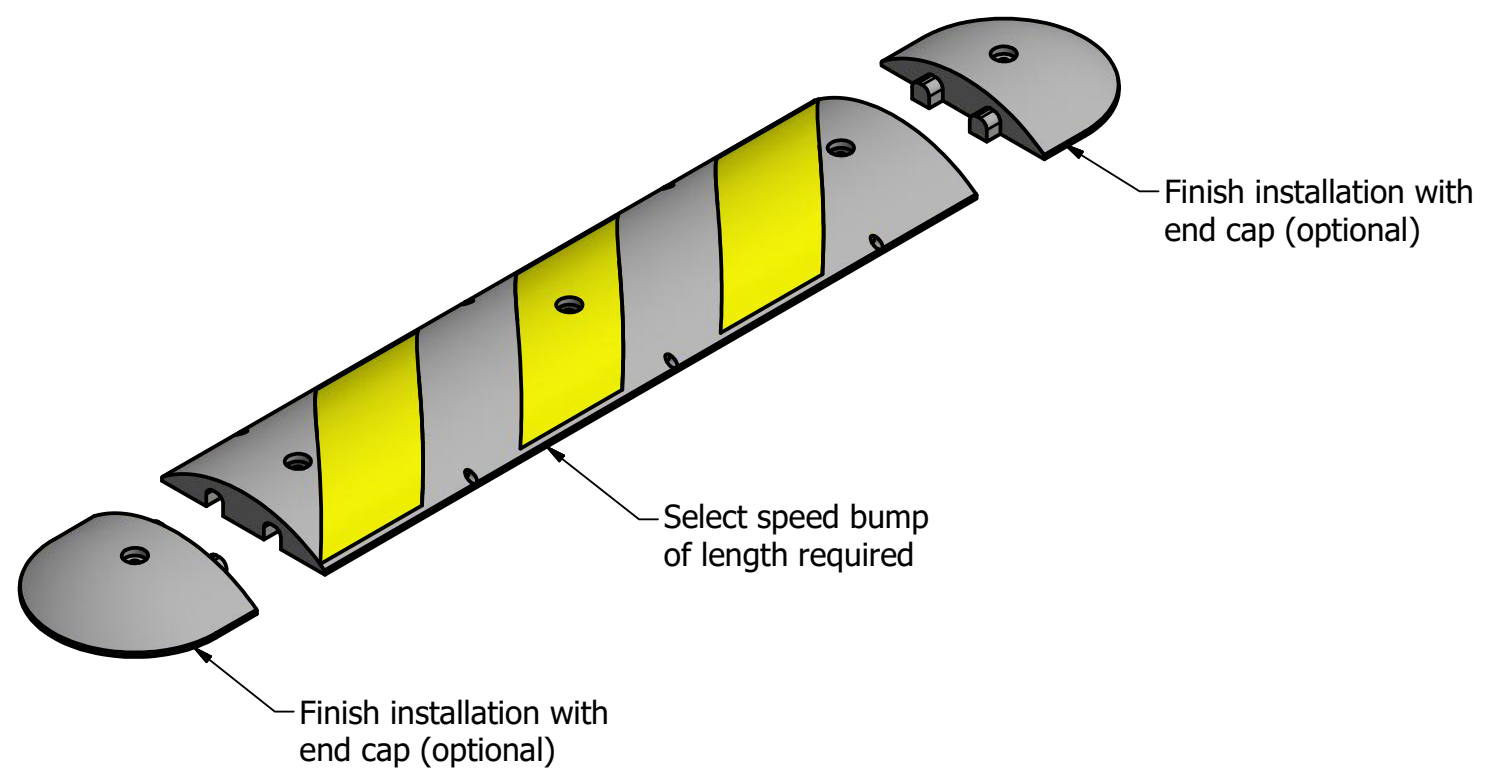
Unit 207, 6450 - 148 Street, Surrey, BC V3S 7G7, Canada
1-888-735-5680 info@reliance-foundry.com
www.reliance-foundry.com

TITLE			
<h1>R-2030-E End Cap</h1>			
SIZE	DWG NO	REV	
C	R2030E	C2	

R-2030-E End Cap



Asphalt Installation
w/ Rebar Spike



General Description:

Speed bumps are the most effective means for slowing vehicles to 5 mph or less. Made from 100-percent recycled rubber, they feature reflective yellow stripes for optimal visibility in all weather and lighting conditions. Rubber is highly durable, form-fitting and won't crack, chip or peel with extended use—even under heavy commercial and industrial use. Speed bumps feature simple bolt-down or rebar spike installation and require minimal labor and equipment. Assemblies feature internal channeling to accommodate cables and/or drainage. Select from 4-foot and 6-foot lengths and use in tandem for large areas. Finish your assembly with tapered end caps.

Specifications:

- Length: 9"
- Width: 12"
- Height: 2-1/4"
- Weight: 5-1/2 lbs
- Material: Recycled Rubber Composite

Installation Options:

- Concrete Installation w/ Lag Bolt (see sheet 1 of 2)
- Asphalt Installation w/ Rebar Spike (see sheet 2 of 2)



Unit 207, 6450 - 148 Street, Surrey, BC V3S 7G7, Canada
1-888-735-5680 info@reliance-foundry.com
www.reliance-foundry.com

TITLE			
R-2030-E End Cap			
SIZE	DWG NO	REV	
C	R2030E	C2	
NOT TO SCALE		SHEET 2 OF 2	

PARTS LIST					
ITEM	QTY	PART NUMBER	DESCRIPTION	MATERIAL	WEIGHT
1	1	R2030E	R2030E Speed Bump End Cap	Compression Molded Recycled Rubber Composite	5 1/2 lbs
2	1	Rebar Spike 1/2" - 14"	Rebar Spike 1/2" - 14"	Steel HDG	3/4 lbs